

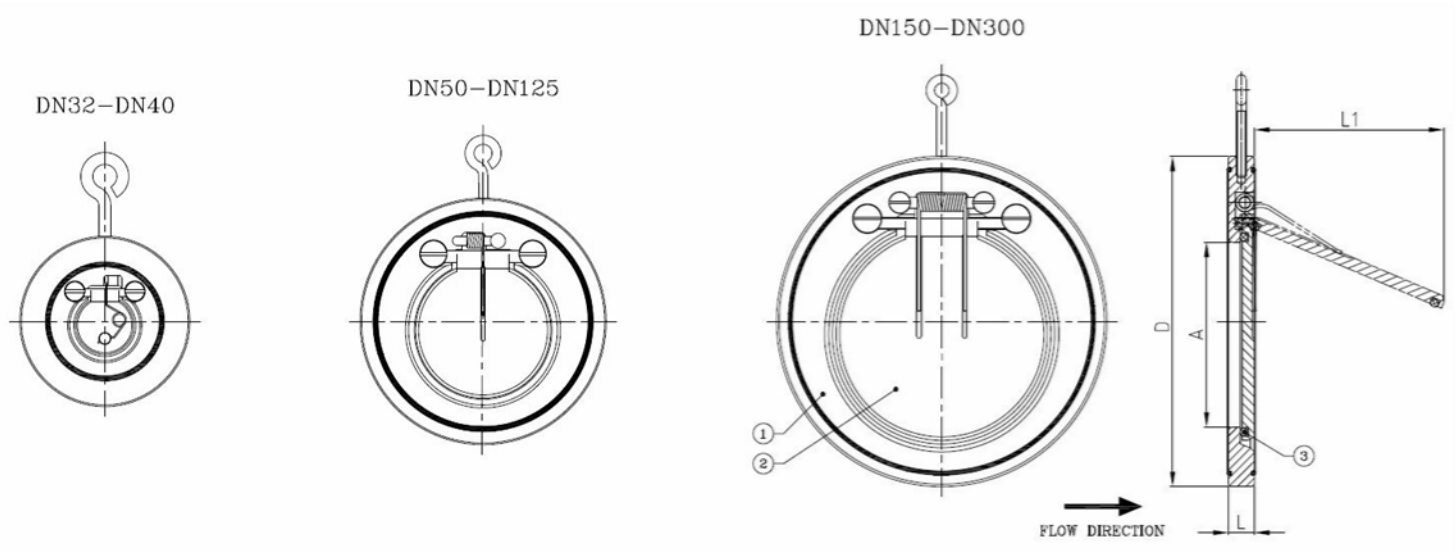
BV39-6666B-PN10/PN16

Wafer type swing check valve with spring, mounting between flanges PN10/16

Face to Face Standard: Factory standard



Item Number	Belven Ref
393077B0032	BV39-6666B-PN16-DN032
393077B0040	BV39-6666B-PN16-DN040
393077B0050	BV39-6666B-PN16-DN050
393077B0065	BV39-6666B-PN16-DN065
393077B0080	BV39-6666B-PN16-DN080
393077B0100	BV39-6666B-PN16-DN100
393077B0125	BV39-6666B-PN16-DN125
393077B0150	BV39-6666B-PN16-DN150
393077B0200	BV39-6666B-PN16-DN200



DN/Size	A	D	L	L1	Press.Cl.	Weight(kg)
DN32 (1 1/4")	18	85	15	22	PN16	0.60
DN40 (1 1/2")	22	95	16	25	PN16	0.80
DN50 (2")	32	109	14	37	PN16	0.90
DN65 (2 1/2")	40	129	14	50	PN16	1.20
DN80 (3")	54	144	14	61	PN16	1.50
DN100 (4")	70	164	18	77	PN16	2.40
DN125 (5")	92	195	18	98	PN16	3.30
DN150 (6")	112	220	20	120	PN16	4.60
DN200 (8")	154	275	22	160	PN16	7.70

Item 1	Item 2	Item 3
Body Material	Disc Material	Seat Material
Stainless steel : 1.4408 (CF8M)	Stainless steel : 1.4408/1.4581 (CF8M/AISI 316Nb)	NBR

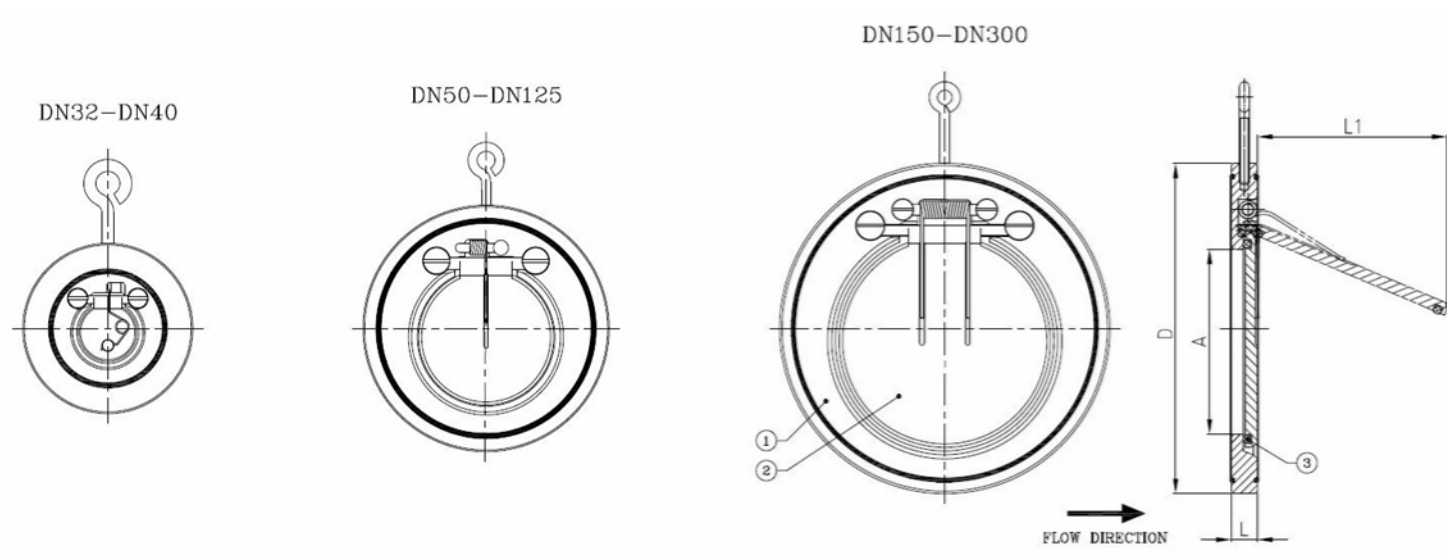
BV39-6666B-PN10

Wafer type swing check valve with spring, mounting between flanges PN10

Face to Face Standard: Factory standard



Item Number	Belven Ref
392077B0250	BV39-6666B-PN10-DN250
392077B0300	BV39-6666B-PN10-DN300



DN/Size	A	D	L	L1	Press.Cl.	Weight(kg)
DN250 (10")	192	330	26	190	PN10	12.60
DN300 (12")	227	380	32	220	PN10	20.50

Item 1	Item 2	Item 3
Body Material	Disc Material	Seat Material
Stainless steel : 1.4408 (CF8M)	Stainless steel : 1.4408/1.4581 (CF8M/AISI 316Nb)	NBR

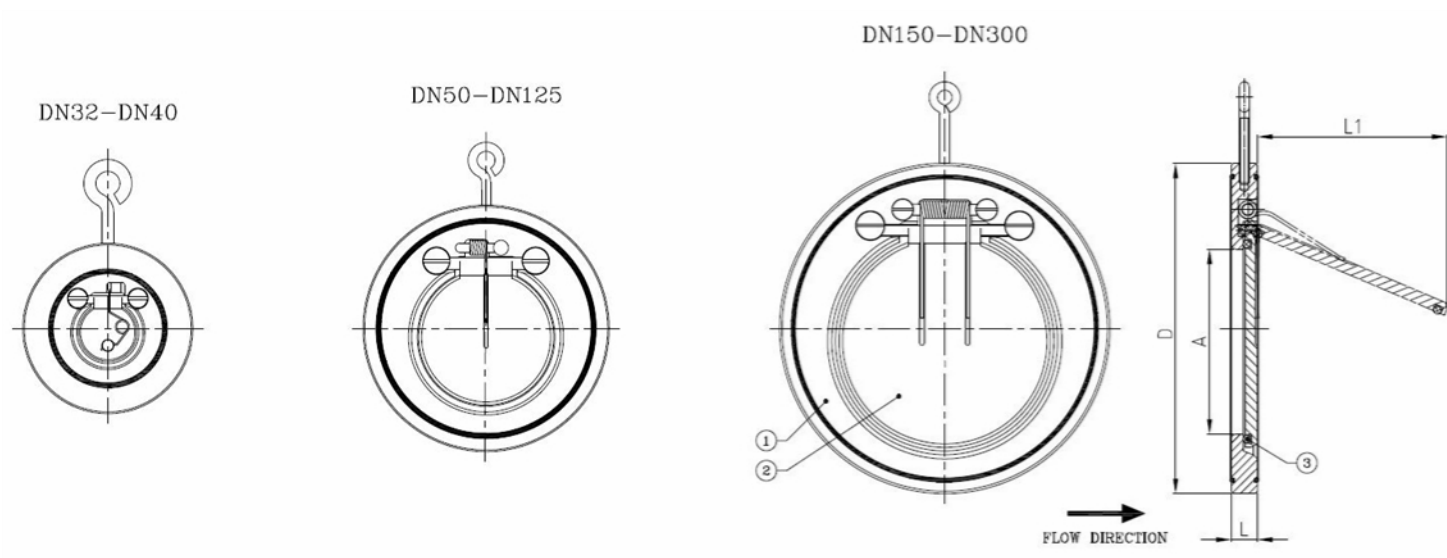
BV39-6666B-PN16

Wafer type swing check valve with spring, mounting between flanges PN16

Face to Face Standard: Factory standard



Item Number	Belven Ref
393077B0250	BV39-6666B-PN16-DN250
393077B0300	BV39-6666B-PN16-DN300



DN/Size	A	D	L	L1	Press.Cl.	Weight(kg)
DN250 (10")	192	331	26	190	PN16	13.10
DN300 (12")	227	386	32	220	PN16	21.00

Item 1	Item 2	Item 3
Body Material	Disc Material	Seat Material
Stainless steel : 1.4408 (CF8M)	Stainless steel : 1.4408/1.4581 (CF8M/AISI 316Nb)	NBR